

# AIRCRAFT CONVERSION



**NIJL Aircraft Docking**  
Punterweg 4  
8042 PB Zwolle  
The Netherlands

T +31 38 202 80 20  
E [info@nijlgroup.com](mailto:info@nijlgroup.com)

[www.nijlgroup.com](http://www.nijlgroup.com)

CAGE code: H2BL2



**NIJL**<sup>®</sup>  
aircraft docking

# AIRCRAFT CONVERSION

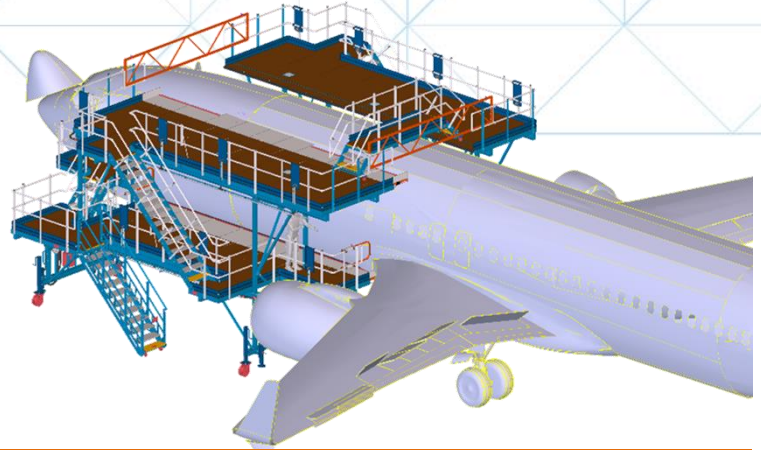
## FOR PASSENGER-TO-FREIGHTER (P2F) AND SPECIAL MODIFICATIONS

### Key Benefits

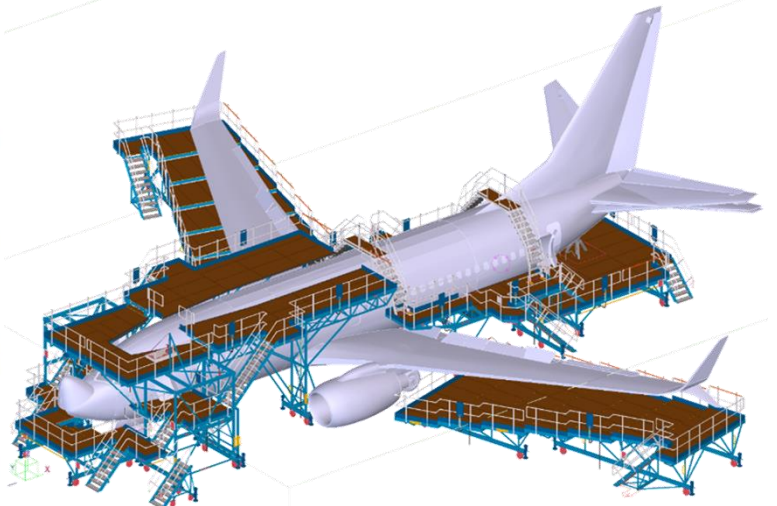
- + Turn-key delivery of aircraft conversion access equipment
  - + Modular designs
  - + Docking system solutions
  - + Special access platform solutions
  - + Configurable to customer needs
  - + Optimized for task-oriented work flow and handling of tooling and aircraft components
  - + Following latest design standards and guidelines for commercial and military aircraft applications
  - + Experience with industry established aircraft conversion projects
- P2F: e.g. A320/A330/B737/B767/B777 series*  
*Special modifications: e.g. B737 series*

### Specifications

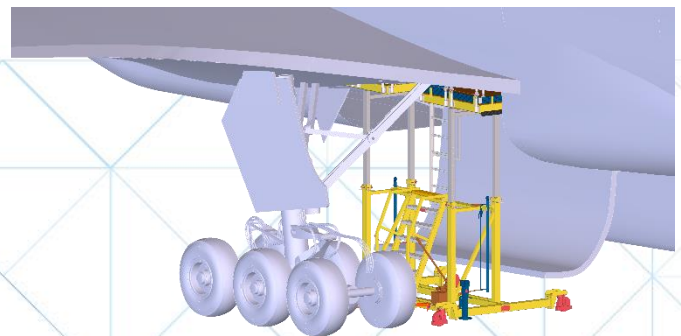
- 1 Single and multiple aircraft configurations
- 2 Ground mobile
- 3 Easy-to-manoeuvre
- 4 Safety / fall-protection features
  - Configurable railing solutions
  - Adjustable floor panel solutions
  - Height-adjustment solutions
- 5 Dedicated utility installation (electrical / pneumatics)
- 6 Intuitive user interfaces
- 7 Including safety labels, signs and instruction plates
- 8 Mixed aluminium-steel material selection for lightweightness, robustness and stability
- 9 Conservation to corrosion and aviation liquids



Passenger-to-Freighter (P2F) - Reference Project



Special Mission Modifications - Reference Project



Dedicated Access Platform for P2F - Reference Project